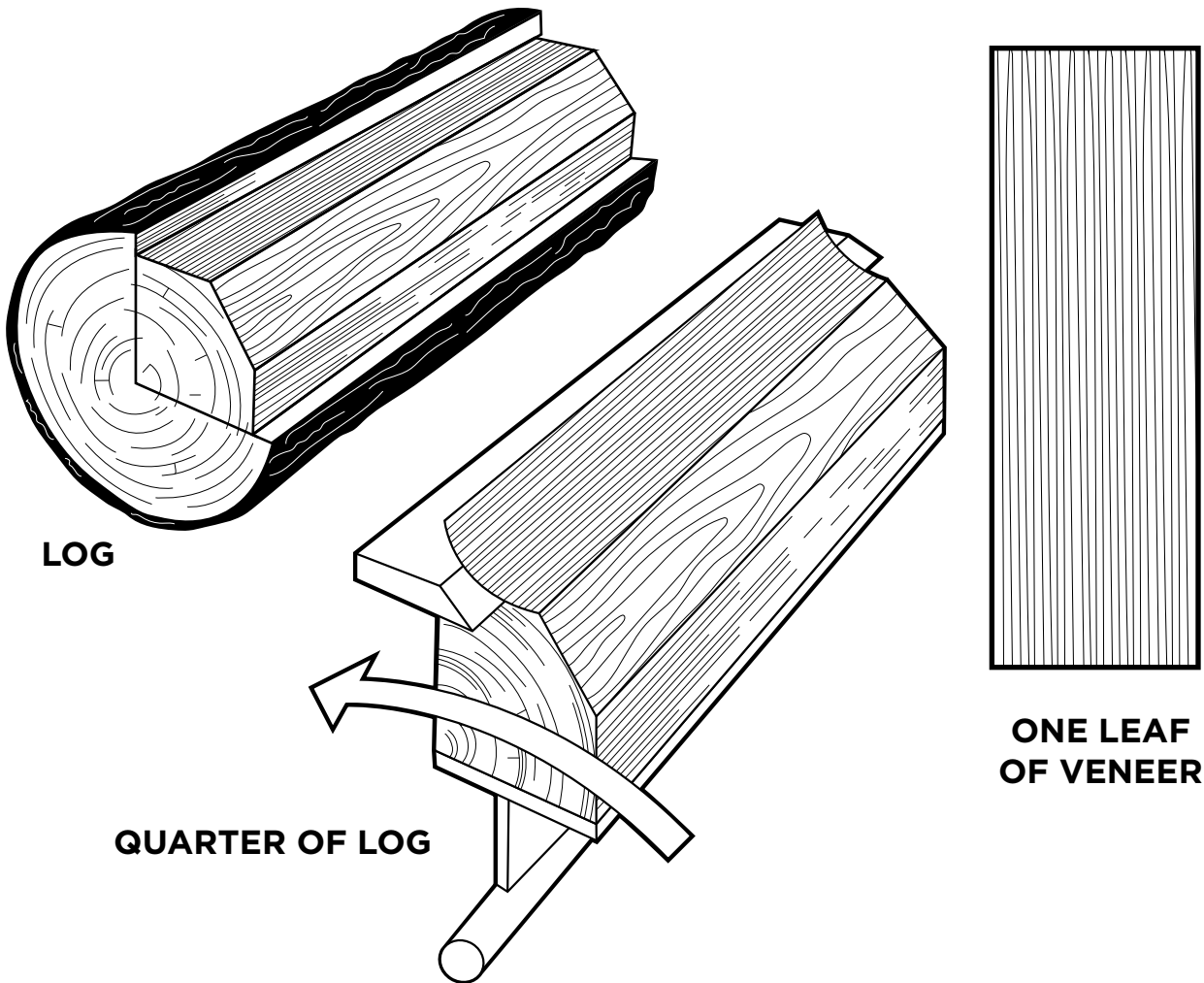


# RIFT CUT

(AKA: COMB GRAIN, STRAIGHT GRAIN)



Produced by cutting at a slight angle to the radial to produce a straight grain appearance without excessive ray flake. Rift cut veneer can easily be sequenced and matched.